

Technical Bulletin

074 – Zero 360 Data Sheet



Issue Date 14/07/23

Revision 01

Lifeline Fire and Safety Systems Limited
Falkland Close, Charter Avenue Industrial Estate,
Coventry, West Midlands, CV4 8AU

Tel: +44 (0)24 7671 2999

Fax: +44 (0)24 7642 1322

Email: sales@lifeline-fire.co.uk

Technical Bulletin 074 –

Other References	
TB009	Extinguisher Selection
TB003	Novec 1230 MSDS
TB040	Plumbed-in FIA TL16 Systems – Installation Guide
TB041	FIA TL16 Systems – Kit Content and Spares
TB020	UK Motorsport Regulations Changes

Overview

Lifeline FIA Technical List 16 systems are a refinement and improvement of the originals, by optimising nozzle design to give increased coverage resulting in faster discharge times, the Lifeline Zero 360 range provides increased levels of safety for all competition vehicles.



Specification

	Mechanical	Electrical	CD Remote
Description	Zero 360	Zero 360	Zero 360
FIA Homologation	EX.042.17	EX.042.17	EX.043.17, EX044.17
Contents	Novec 1230	Novec 1230	Novec 1230
Discharge System	Mechanical	Electrical	Electrical
Cylinder Material	Steel	Aluminium	Aluminium
Temperatures	-10 – 60°C	-10 – 60°C	-10 – 60°C

Suppressant

The system uses 3M Novec 1230 clean agent suppressant to leave no residue in the event of an accidental discharge and provides excellent fire knock down and suppression capabilities in combination with Lifelines high discharge rate twin slot nozzles. Unlike other clean agents, Novec 1230 is not an HFC and is not subject to the F-Gas phase down; it has an Ozone Depletion Potential of zero with a Global Warming Potential of one.

Zero 360 Options

The entry level Fire Marshal range provides increased fire out performance and cost benefits for a minimal weight penalty. The electric stored pressure systems are pure performance; optimised both for weight and fire out time. Fastest and lightest are the CD Remote systems. Utilising Lifeline's proven compression discharge technology, combined with minimal weight & size for ease of packaging. The best choice for formula and sportscars with compact cockpits and tight packaging requirements. By keeping the suppressant separate from the super-pressurising gas these systems also provide the fastest discharge and fire out times with the fewest nozzles for maximum safety and performance.

The Zero 360 has not only options for discharge but also with the quantity of suppressants. Please note that if rallying there is a minimum quantity of suppressant required of 3.0kg.

Mechanical

Part Number	Description	Suppressant Quantity	Cylinder Weight	Cylinder Dimensions (Length x Diameter)
106-001-004	Zero 360 Mechanical	2.25kg	3.6kg	268 x 125mm
106-001-007	Zero 360 Mechanical	3.0kg	4.5kg	324 x 125mm

106-001-004:

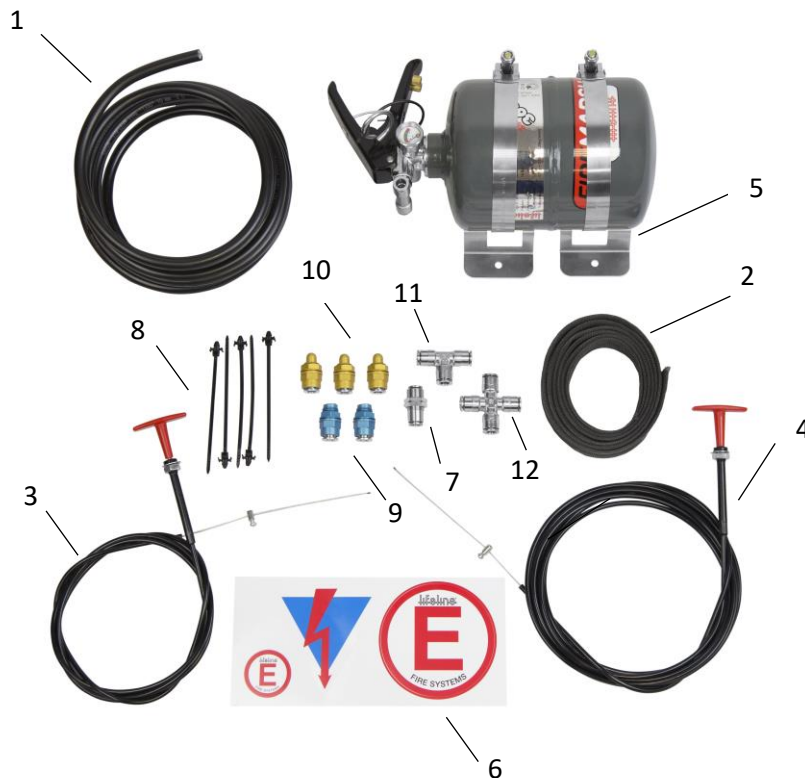


106-001-007:



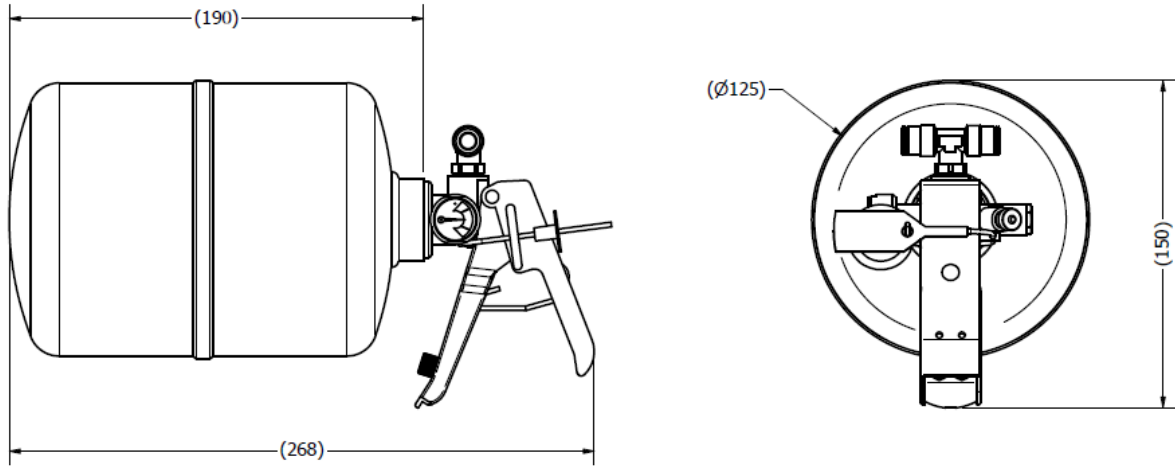
Kit Content

Item	Part Number	Description	Quantity
1.0	951-101-014	8mm – Alloy Semi Rigid Tube – 6m Length	1
2.0	951-300-002	Heat Proof Overbraid – 6m	1
3.0	935-100-001	2.0mtr/6ft Pull Cable – Red T Handle	1
4.0	935-100-002	4.0mtr/12ft Pull Cable – Red T Handle	1
5.0	920-100-008-FIA	Brackets & Straps – Medium	1
6.0	990-100-001	Decal Pack	1
7.0	952-408-002	8mm Bulkhead Fitting	1
8.0	951-200-002	Tube Clip	5
9.0	955-300-003	Zero 360 Nozzle	2
10.0	955-300-004	Zero 360 Double 'Z' Nozzle	3
11.0	952-408-001	8mm Equal T Connector	1
12.0	952-408-007	8mm 4 Way Equal Cross Connector	1

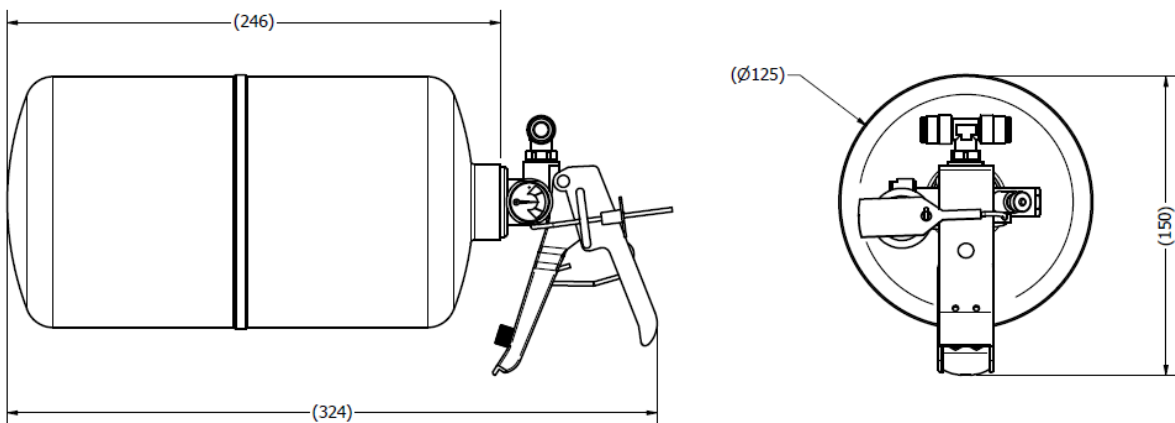


Drawings

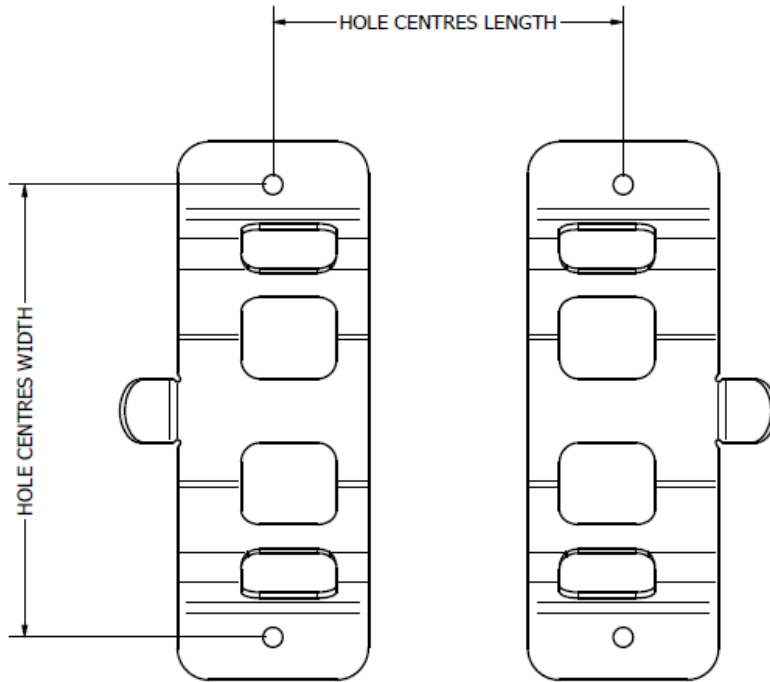
106-001-004



106-001-007



Bracket Centre Point



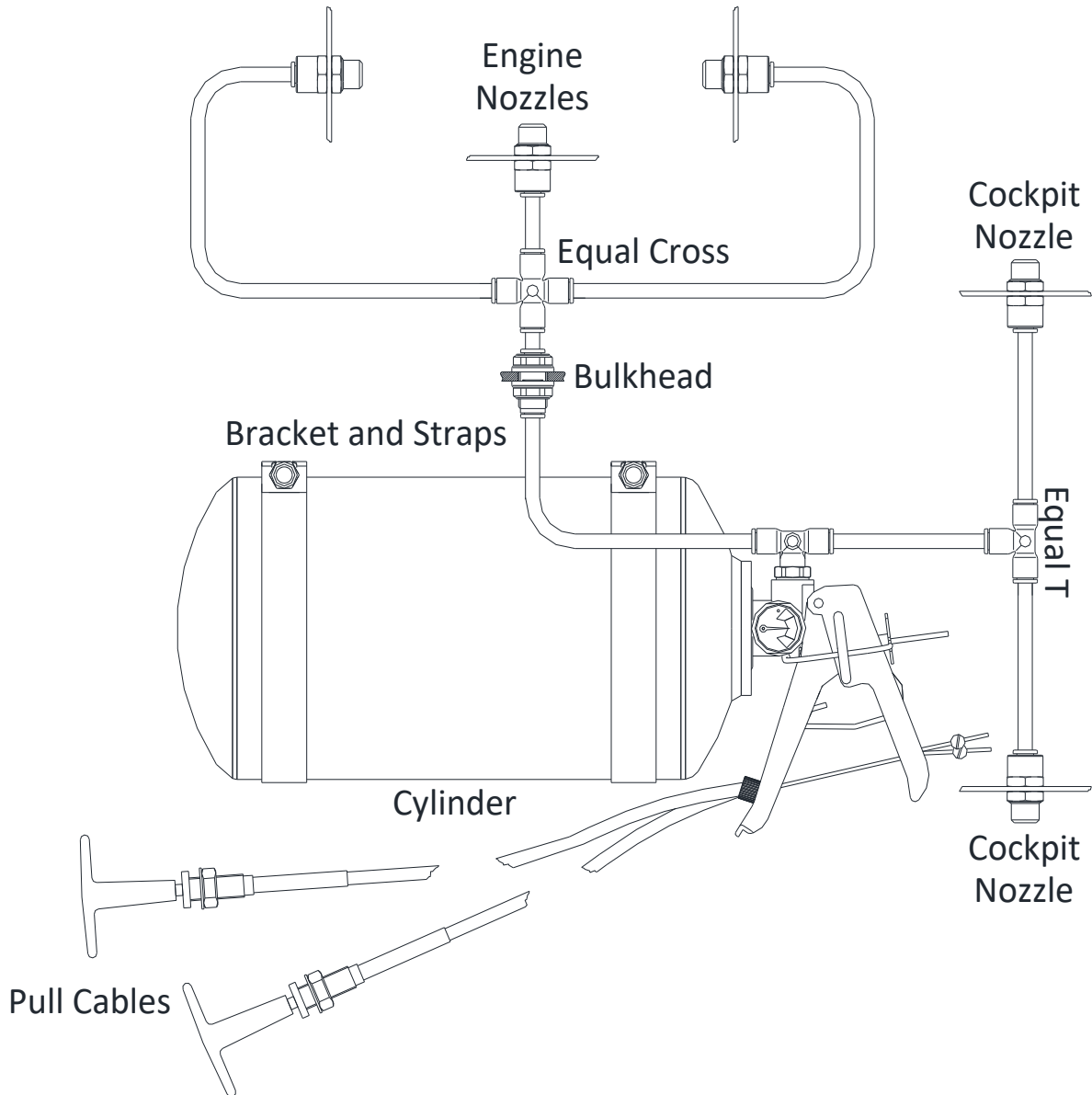
106-001-004

Hole Centres	
Length	88-90mm
Width	140-144mm

106-001-007

Hole Centres	
Length	145-147mm
Width	140-144mm

Schematic



Electric

Part Number	Description	Suppressant Quantity	Cylinder Weight	Cylinder Dimensions (Length x Diameter)
106-001-005	Zero 360 Electric	2.25kg	3.1kg	235 x 125mm
106-001-008	Zero 360 Electric	3.0kg	3.9kg	297 x 125mm

106-001-005

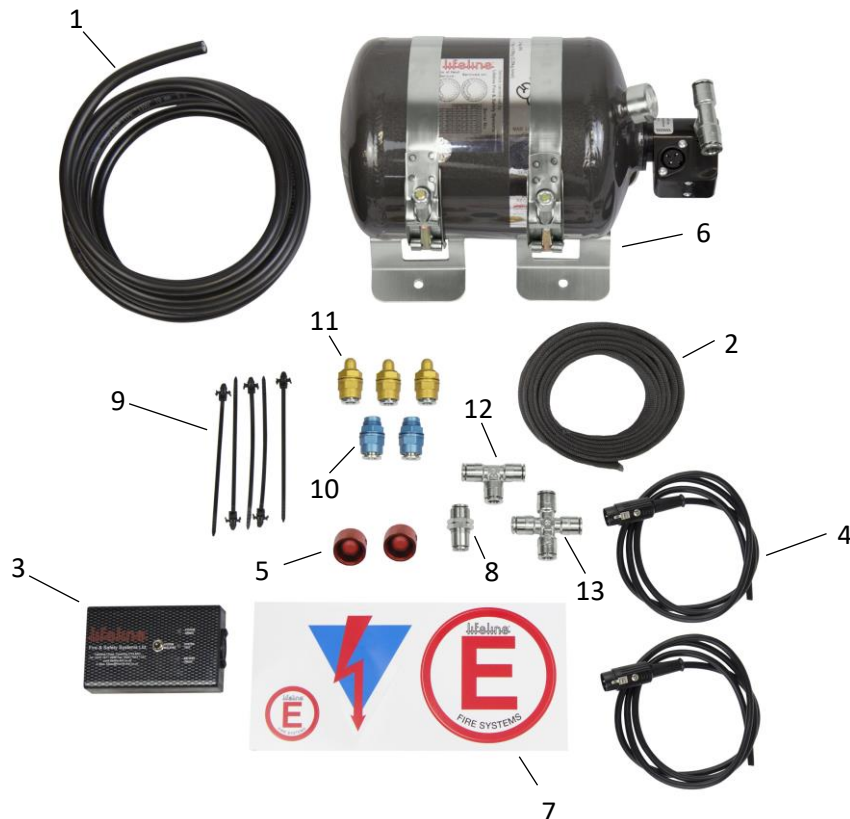


106-001-008



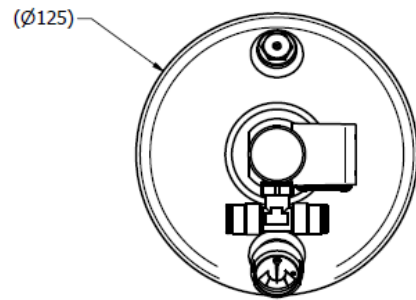
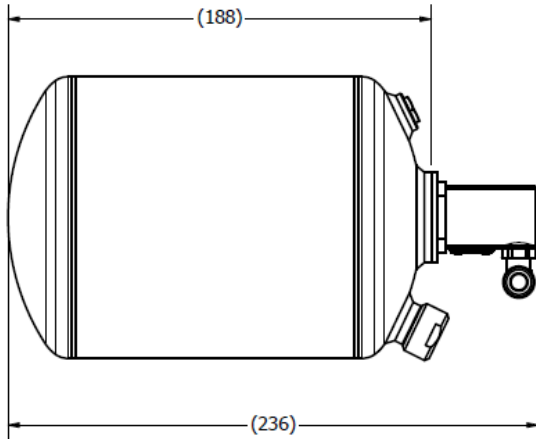
Kit Content

Item	Part Number	Description	Quantity
1.0	951-101-014	8mm – Alloy Semi Rigid Tube – 6m Length	1
2.0	951-300-002	Heat Proof Overbraid – 6m	1
3.0	941-000-001	Power Pack – DIN Socket	1
4.0	943-101-001	Plug & Lead Assembly – Standard	2
5.0	942-100-004	Activation Switch	2
6.0	920-100-008-FIA	Brackets & Straps – Medium	1
7.0	990-100-001	Decal Pack	1
8.0	952-408-002	8mm Bulkhead Fitting	1
9.0	951-200-002	Tube Clip	5
10.0	955-300-003	Zero 360 Nozzle	2
11.0	955-300-004	Zero 360 Double 'Z' Nozzle	3
12.0	952-408-001	8mm Equal T Connector	1
13.0	952-408-007	8mm 4 Way Equal Cross Connector	1

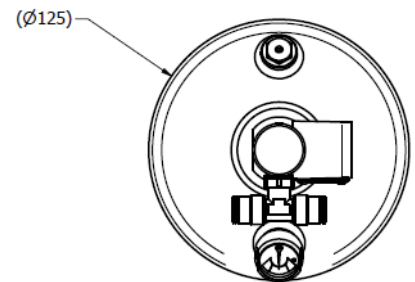
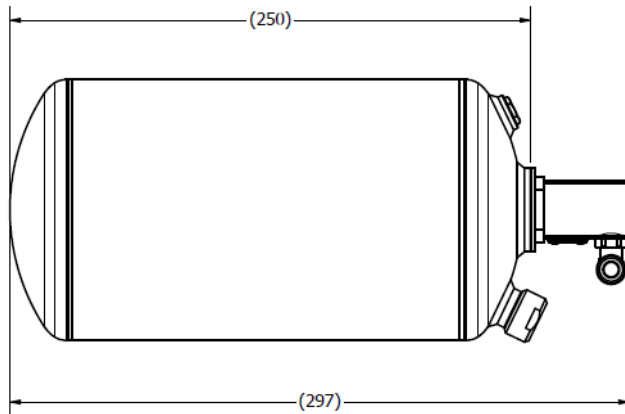


Drawings

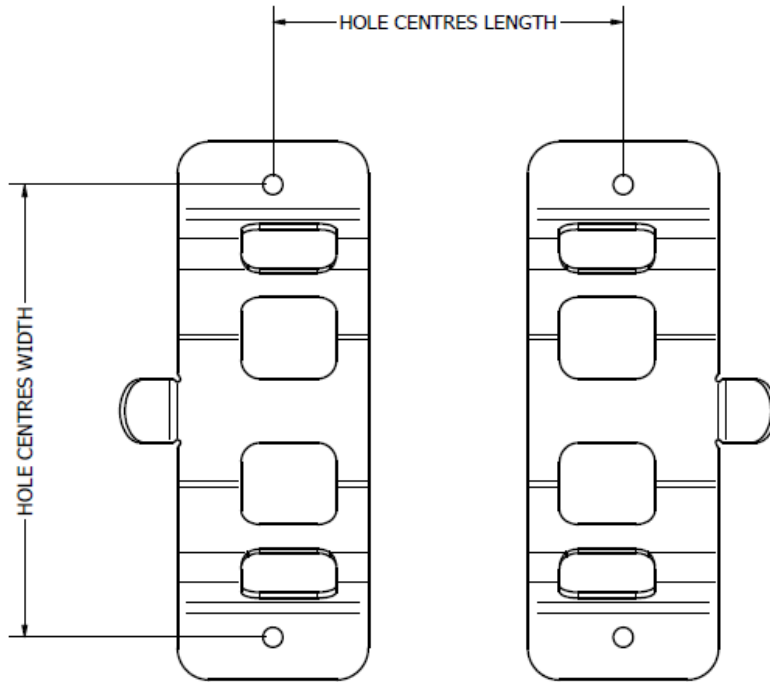
106-001-005



106-001-008



Bracket Centre Point



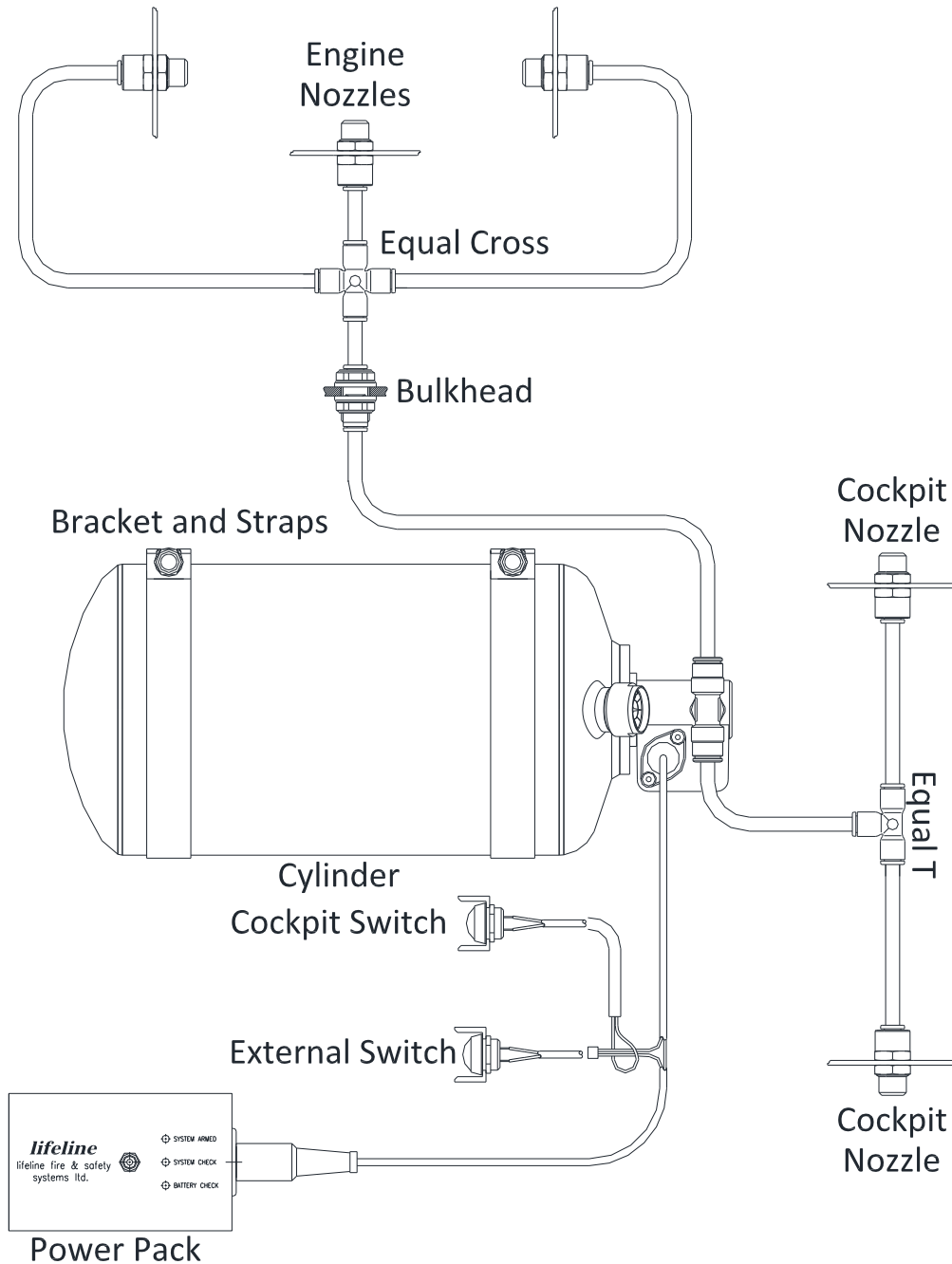
106-001-005

Hole Centres	
Length	88-90mm
Width	140-144mm

106-001-008

Hole Centres	
Length	145-147mm
Width	140-144mm

Schematic



CD Remote

Part Number	Description	Suppressant Quantity	Cylinder Weight	Cylinder Dimensions (Length x Diameter)
106-001-003	Zero 360 CD Remote	1.5kg	2.2kg	230 x 90mm
106-001-006	Zero 360 CD Remote	2.0kg	2.7kg	219 x 108mm
106-001-009	Zero 360 CD Remote	3.0kg	3.9kg	274 x 108mm

106-001-003



106-001-006



106-001-009



Lifeline operates a policy of continual improvement and reserves the right to change details or advice given in this Technical Bulletin without notice. For latest advice contact Lifeline, +44 (0)24 7671 2999 or sales@lifeline-fire.co.uk

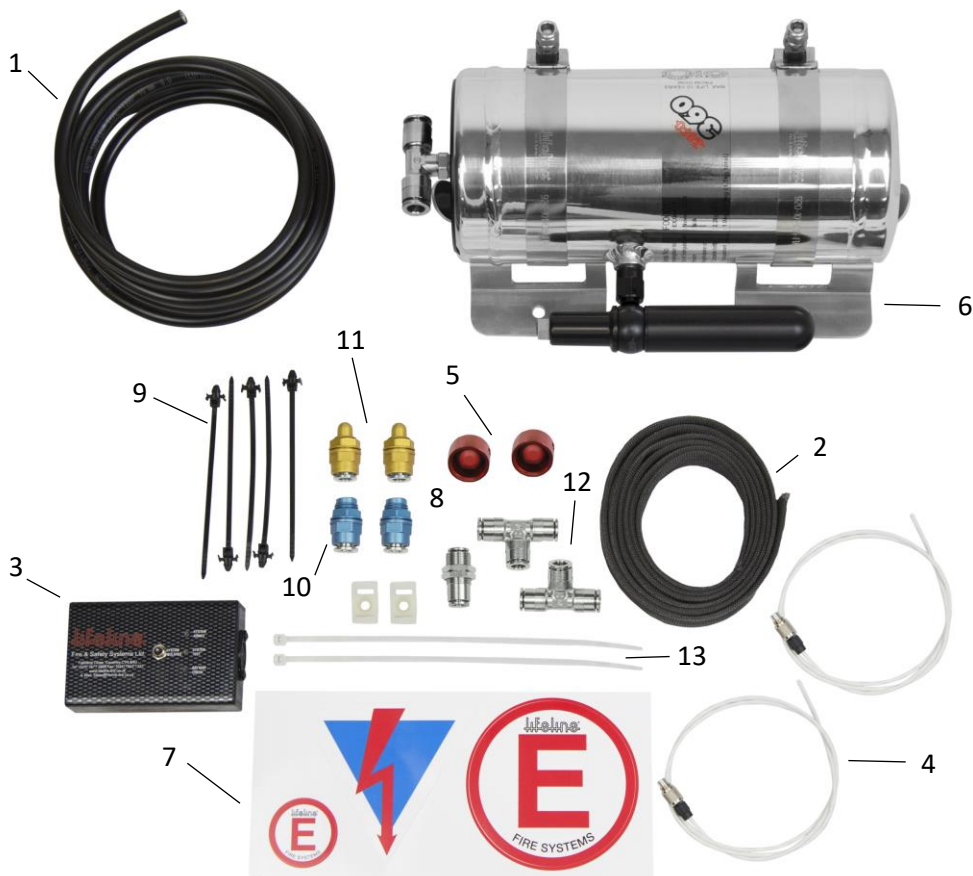
Kit Content 106-001-003 Only

Item	Part Number	Description	Quantity
1.0	951-101-014	8mm – Alloy Semi Rigid Tube – 6m Length	1
2.0	951-300-002	Heat Proof Overbraid – 6m	1
3.0	941-000-004	Power Pack – Binder Socket	1
4.0	943-101-005	Plug & Lead – Zero 360 Remote Systems	2
5.0	942-100-004	Activation Switch	2
6.0	920-100-019-FIA	Brackets & Straps – Small	1
7.0	990-100-001	Decal Pack	1
8.0	952-408-002	8mm Bulkhead Fitting	1
9.0	951-200-002	Tube Clip	5
10.0	955-300-003	Zero 360 Nozzle	2
11.0	955-300-004	Zero 360 Double 'Z' Nozzle	2
12.0	952-408-001	8mm Equal T Connector	2
13.0	901-120-001	Saddle + Ty-rap for Remote Charge (2 per pack)	1



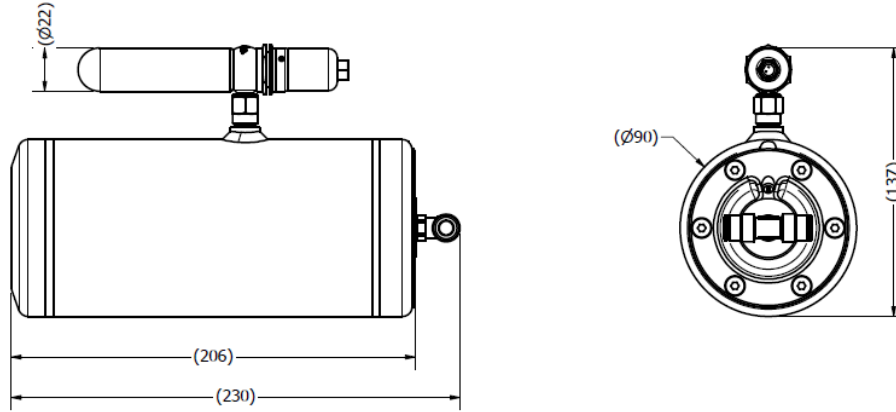
Kit Content 106-001-006/106-001-009

Item	Part Number	Description	Quantity
1.0	951-101-014	8mm – Alloy Semi Rigid Tube – 6m Length	1
2.0	951-300-002	Heat Proof Overbraid – 6m	1
3.0	941-000-004	Power Pack – Binder Socket	1
4.0	943-101-005	Plug & Lead – Zero 360 Remote Systems	2
5.0	942-100-004	Activation Switch	2
6.0	920-100-007-FIA	Brackets & Straps – Small	1
7.0	990-100-001	Decal Pack	1
8.0	952-408-002	8mm Bulkhead Fitting	1
9.0	951-200-002	Tube Clip	5
10.0	955-300-003	Zero 360 Nozzle	2
11.0	955-300-004	Zero 360 Double 'Z' Nozzle	2
12.0	952-408-001	8mm Equal T Connector	2
13.0	901-120-001	Saddle + Ty-rap for Remote Charge (2 per pack)	1

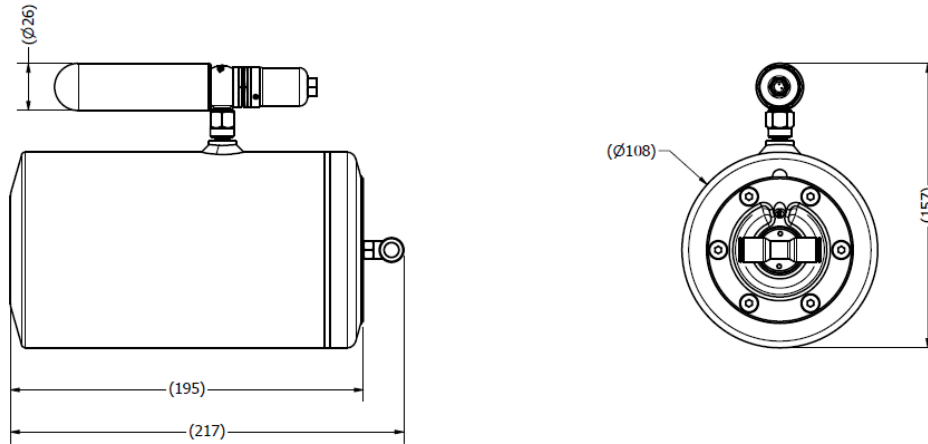


Drawings

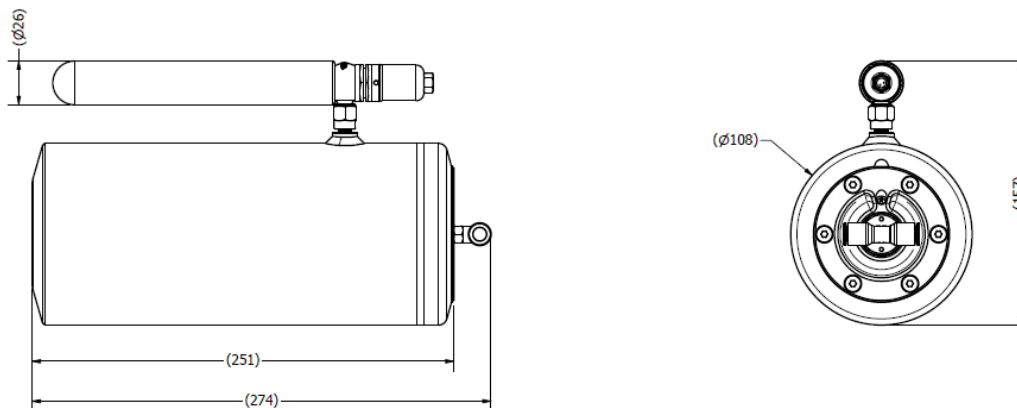
106-001-003



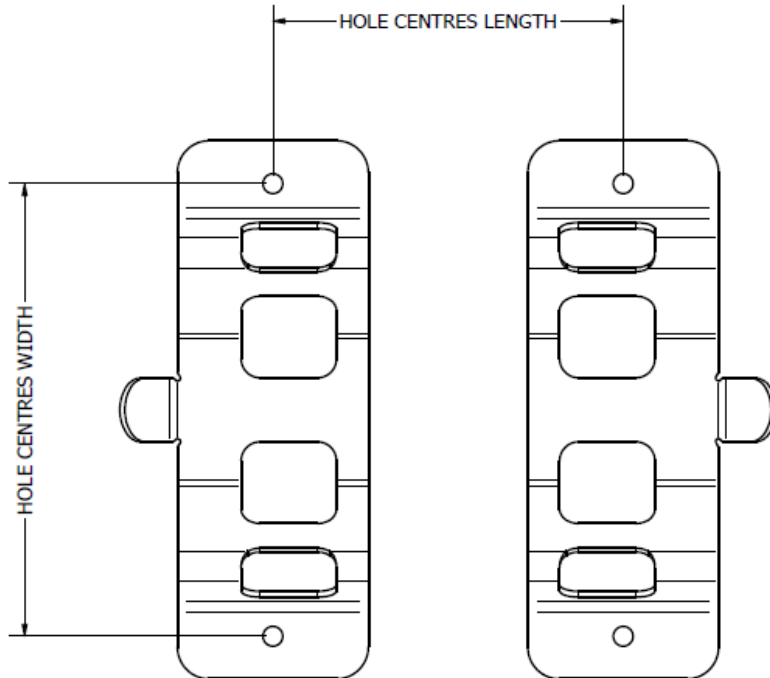
106-001-006



106-001-009



Bracket Centre Point



106-001-003

Hole Centres	
Length	128-130 mm
Width	105-107 mm

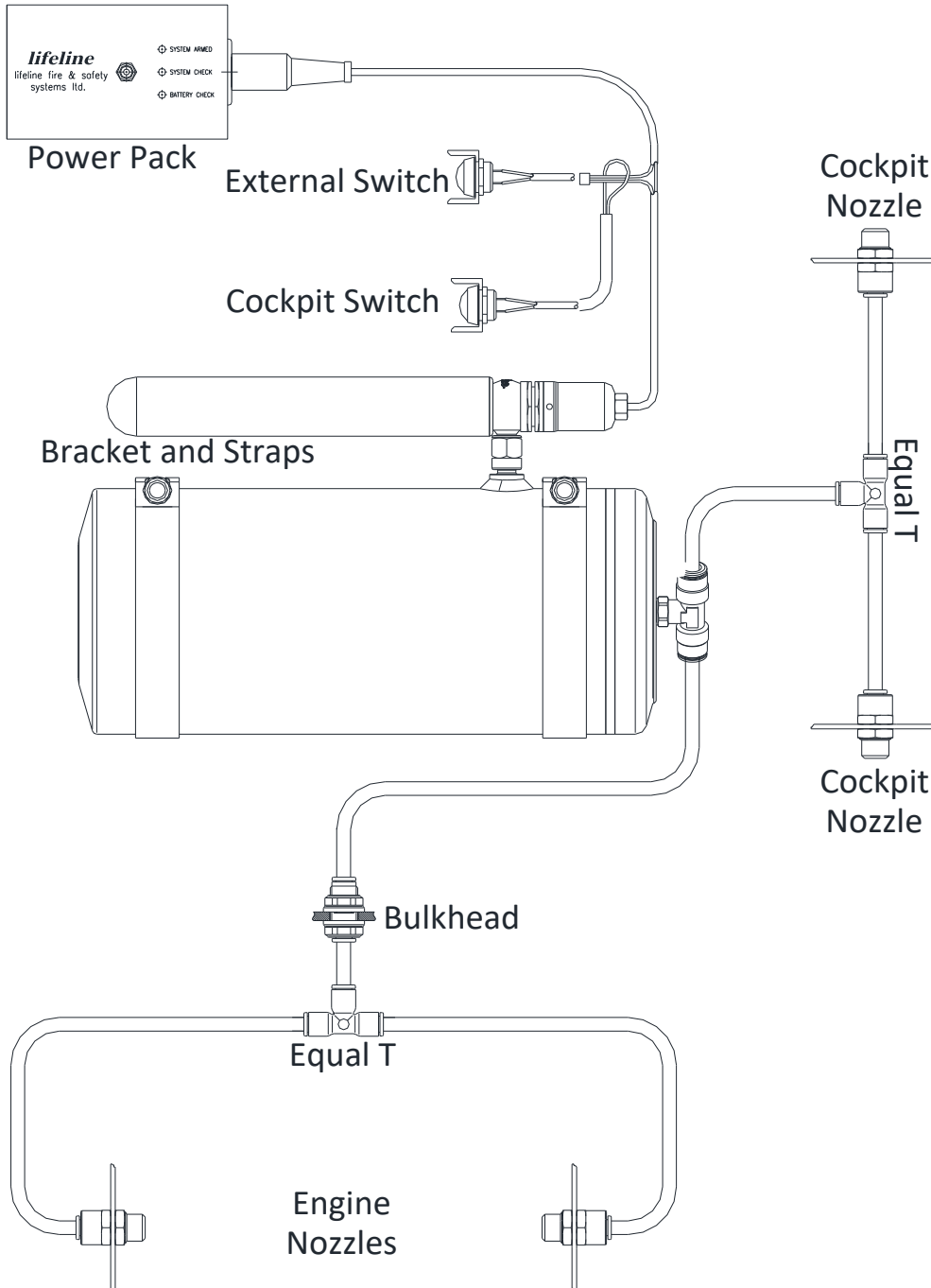
106-001-006

Hole Centres	
Length	113-115 mm
Width	105-107 mm

106-001-009

Hole Centres	
Length	168-170 mm
Width	105-107 mm

Schematic



Notes